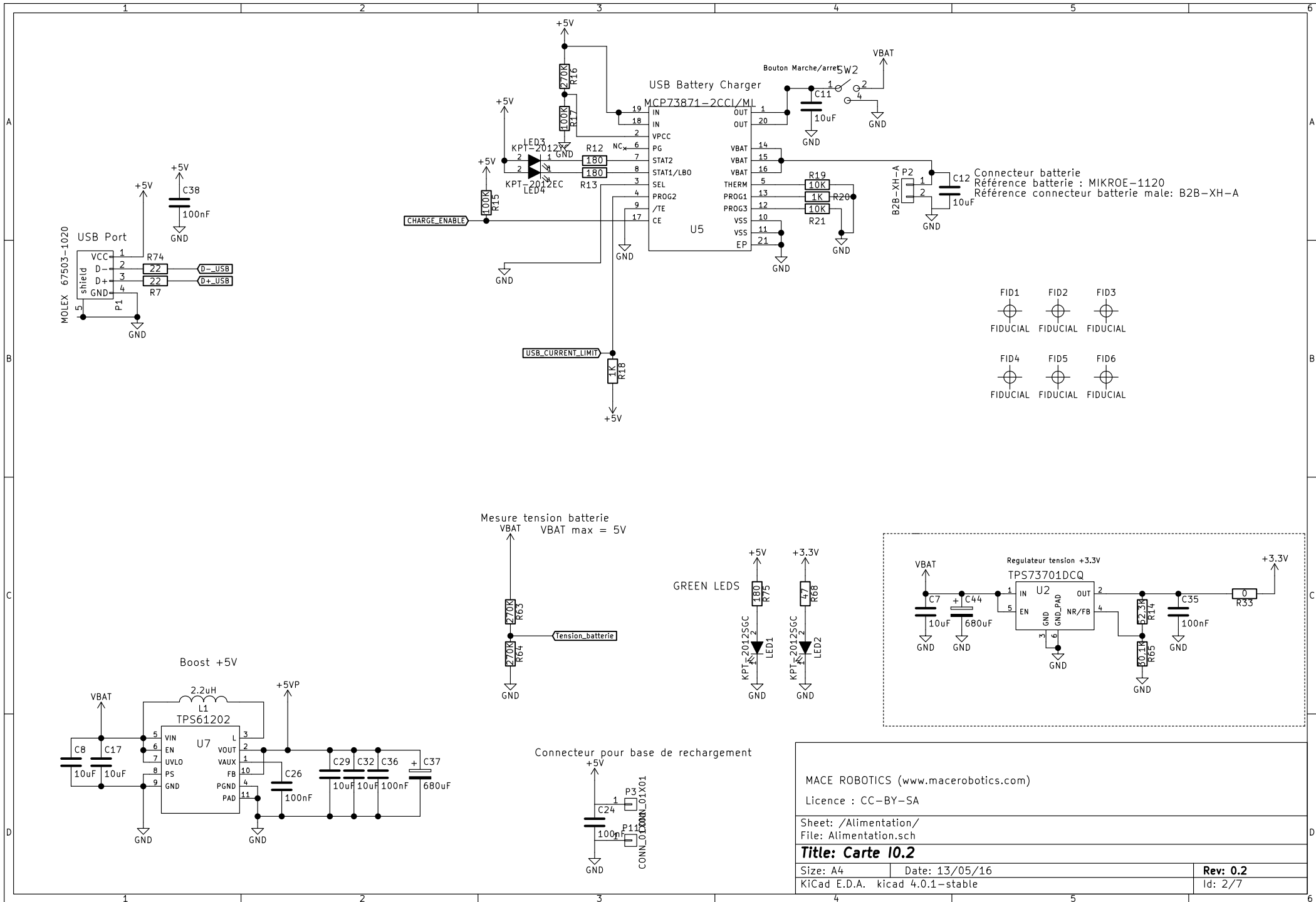


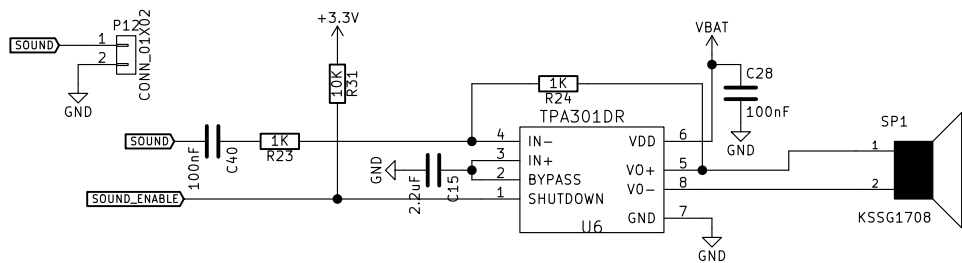
A	1	2	3	4	5	6
B						A
C						B
D						C
	1	2	3	4	5	6

Control
Control.sch
Alimentation
Alimentation.sch
Audio
Audio.sch
Capteurs
Capteurs.sch
Communication
Communication.sch
ComMoteurs
ComMoteurs.sch

Sheet: / File: carte_rants_V1.sch	
Title: Carte 10.2	
Size: A4	Date: 13/05/16
KiCad E.D.A. kicad 4.0.1-stable	Rev: Id: 1/7



MACE ROBOTICS (www.macerobotics.com)	
Licence : CC-BY-SA	
Sheet: /Alimentation/ File: Alimentation.sch	
Title: Carte I0.2	
Size: A4	Date: 13/05/16
KiCad E.D.A. kicad 4.0.1-stable	Rev: 0.2 Id: 2/7



MACE ROBOTICS (www.macerobotics.com)

Licence : CC-BY-SA

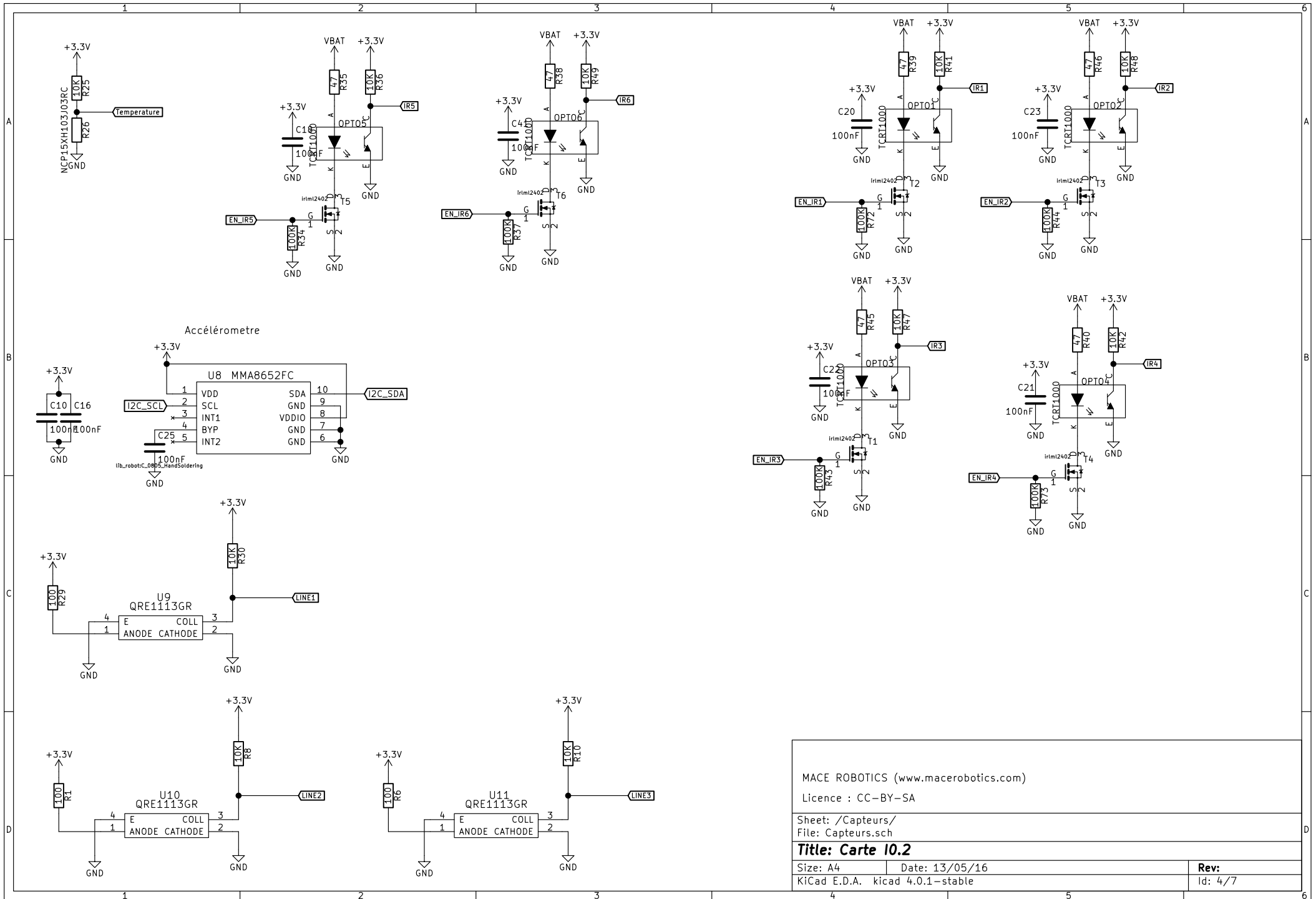
Sheet: /Audio/
File: Audio.sch

Title: Carte 10.2

Size: A4 Date: 13/05/16

KiCad E.D.A. kicad 4.0.1-stable

Rev:
Id: 3/7



MACE ROBOTICS (www.macerobotics.com)

Licence : CC-BY-SA

Sheet: /Capteurs/
File: Capteurs.sch

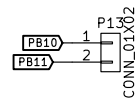
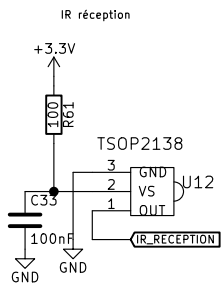
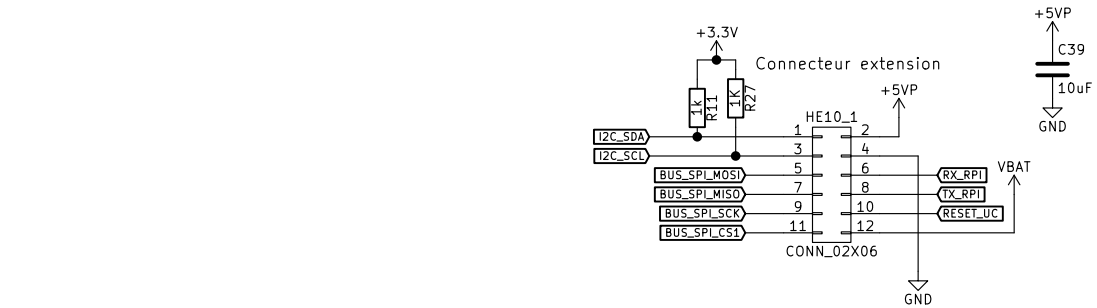
Title: Carte 10.2

Size: A4 Date: 13/05/16

KiCad E.D.A. kicad 4.0.1-stable

Rev:

Id: 4/7



MACE ROBOTICS (www.macerobotics.com)

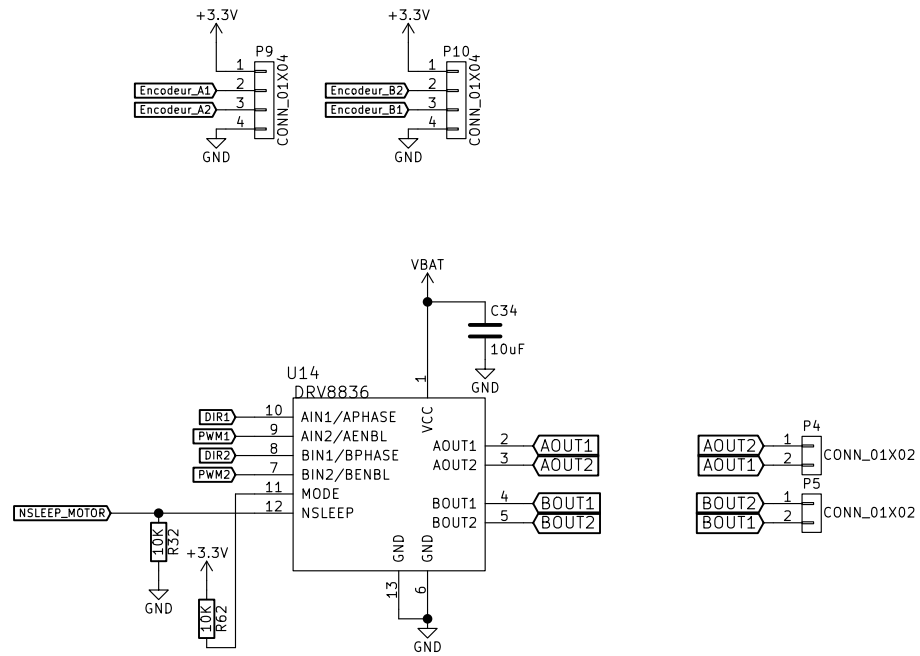
Licence : CC-BY-SA

Sheet: /Communication/
File: Communication.sch

Title: Carte 10.2

Size: A4 Date: 13/05/16
KiCad E.D.A. kicad 4.0.1-stable

Rev:
Id: 5/7



MACE ROBOTICS (www.macerobotics.com)

Licence : CC-BY-SA

Sheet: /ComMoteurs/
File: ComMoteurs.sch

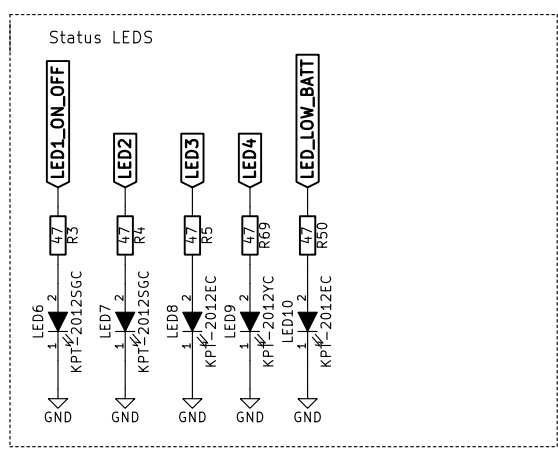
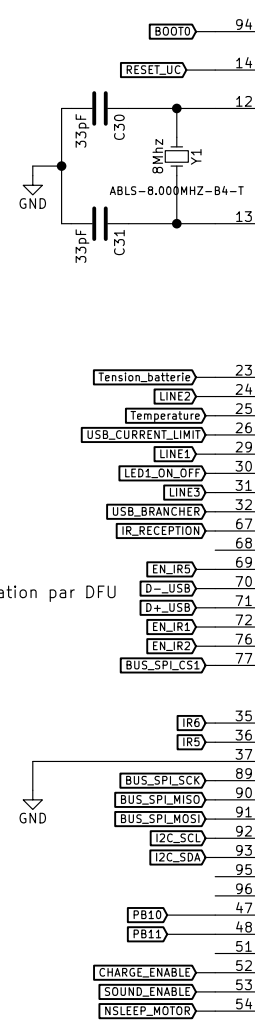
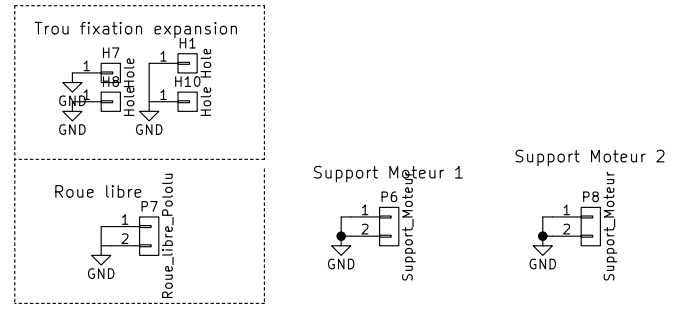
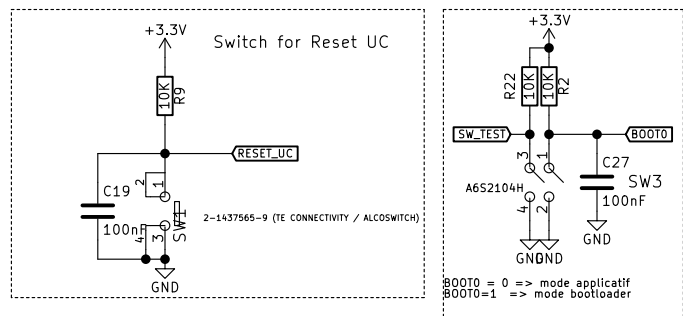
Title: Carte 10.2

Size: A4 Date: 13/05/16

KiCad E.D.A. kicad 4.0.1-stable

Rev:

Id: 6/7



MACE ROBOTICS (www.macerobotics.com)		
Licence : CC-BY-SA		
Sheet: /Control/ File: Control.sch		
Title: Carte 10.2		
Size: A3	Date: 13/05/16	Rev:
KiCad E.D.A. kicad 4.0.1-stable		Id: 7/7